

**STEEL | WELDED**

PICKET TOP

# ALEXANDRIA

Extend your family's peace of mind as far as the eye can see with a timeless steel profile made even grander by customizable rails and up to a 94" commercial-grade height. The fence is a great solution for securing both level and sloping grades and features a superior powder coat finish to shield against weather and abrasion.

## INNOVATIONS

 SolarGuard®

## SIZES

**Width:**  
90½"

**Height:**  
3', 4', 5', 6' and 8'  
*8' only available in Select*

## SELECT | STANDARD

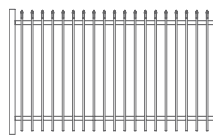
Colors

**Standard Smooth Solids**

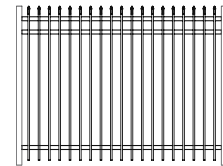


BLACK

## STYLE CONFIGURATIONS



2 Rail



3 Rail

### Post Caps & Hardware Available

See Accessories and Hardware PDF for more information and product offerings.

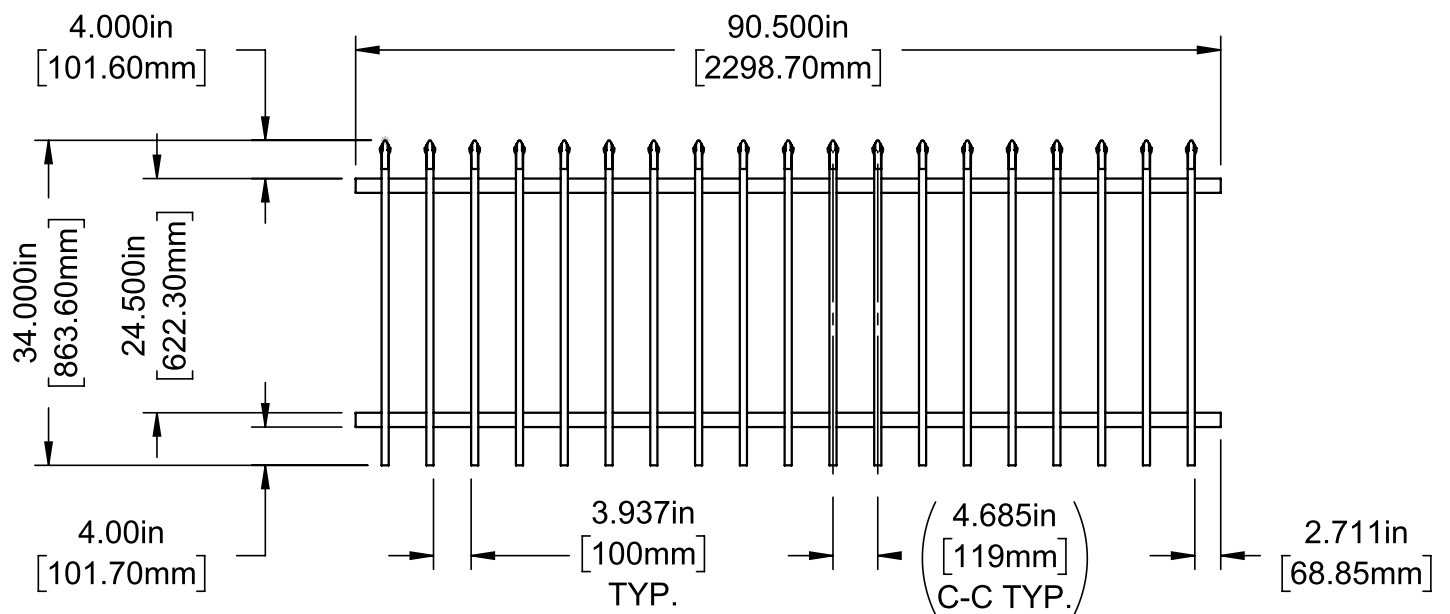
# SELECT | 34" X 90½" ALEXANDRIA

PICKET TOP | 2 RAIL | STANDARD BOTTOM | WELDED FACE MOUNT | 1½" X 1½" RAIL

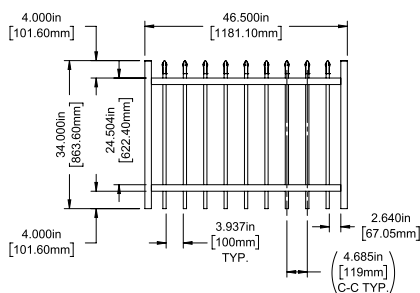
| DESCRIPTION   | BLACK |          |
|---|-------|----------|
|   | QTY   | SKU      |
| 34" x 90½" Alexandria Picket Top 2 Rail Panel (4" Extended Bottom) (34"H) |       | 73046659 |
| 34" x 46½" Alexandria Picket Top 2 Rail Straight Gate                     |       | 73046661 |
| 34" x 58½" Alexandria Picket Top 2 Rail Straight Gate                     |       | 73046662 |

Posts listed on last page.

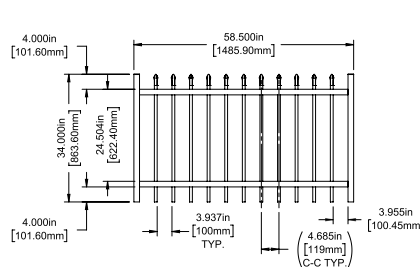
## FENCE PANEL



## 4' STRAIGHT WALK GATE



## 5' STRAIGHT WALK GATE



## RAIL PROFILE

1½" X 1½"

## PICKETS

¾" X ¾"

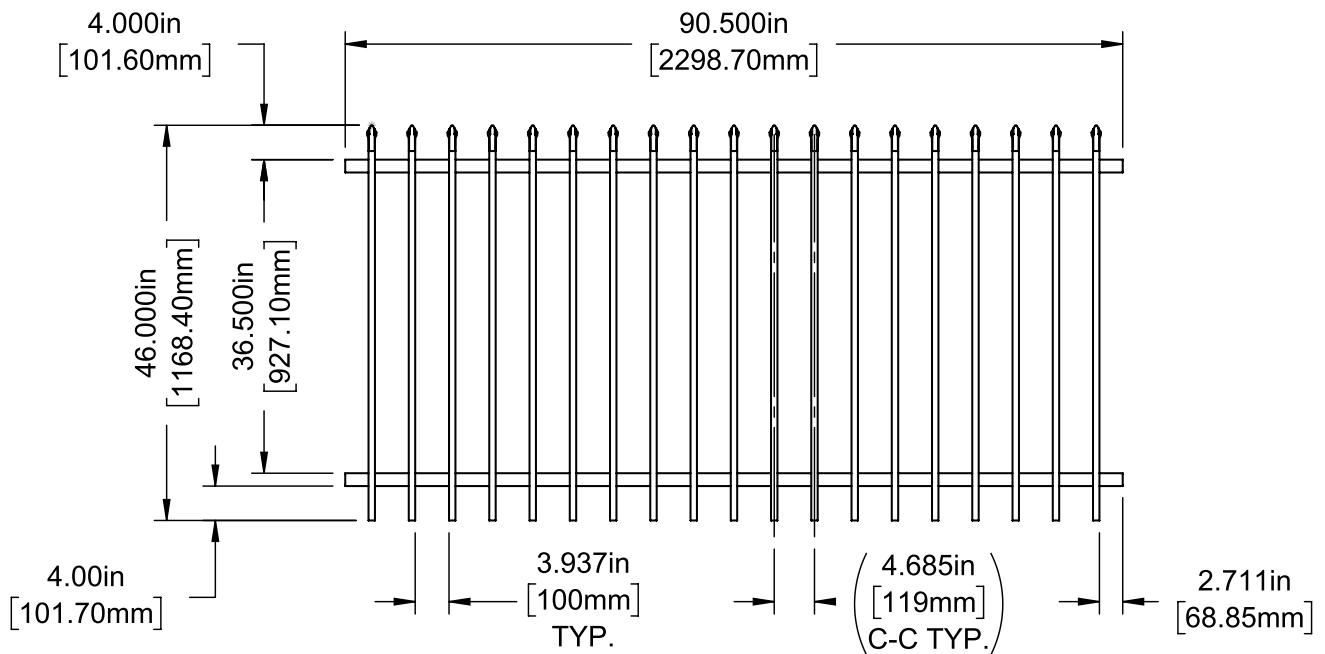
# SELECT | 46" X 90½" ALEXANDRIA

PICKET TOP | 3 RAIL | STANDARD BOTTOM | WELDED FACE MOUNT | 1½" X 1½" RAIL

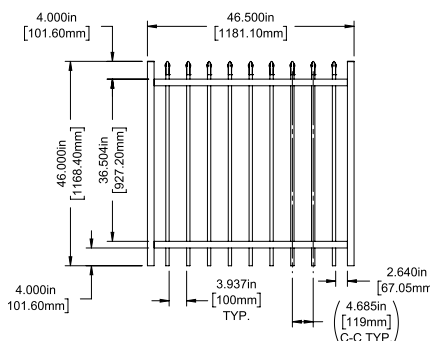
| DESCRIPTION   | BLACK |          |
|---|-------|----------|
|   | QTY   | SKU      |
| 46" x 90½" Alexandria Picket Top 2 Rail Panel (4" Extended Bottom) (46"H) |       | 73046691 |
| 46" x 46½" Alexandria Picket Top 2 Rail Straight Gate                     |       | 73046693 |
| 46" x 58½" Alexandria Picket Top 2 Rail Straight Gate                     |       | 73046694 |

Posts listed on last page.

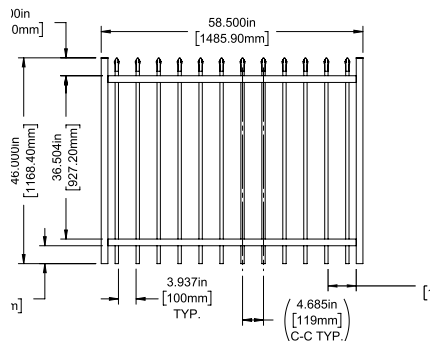
## FENCE PANEL



## 4' STRAIGHT WALK GATE



## 5' STRAIGHT WALK GATE



## RAIL PROFILE

1½" X 1½"

## PICKETS

¾" X ¾"

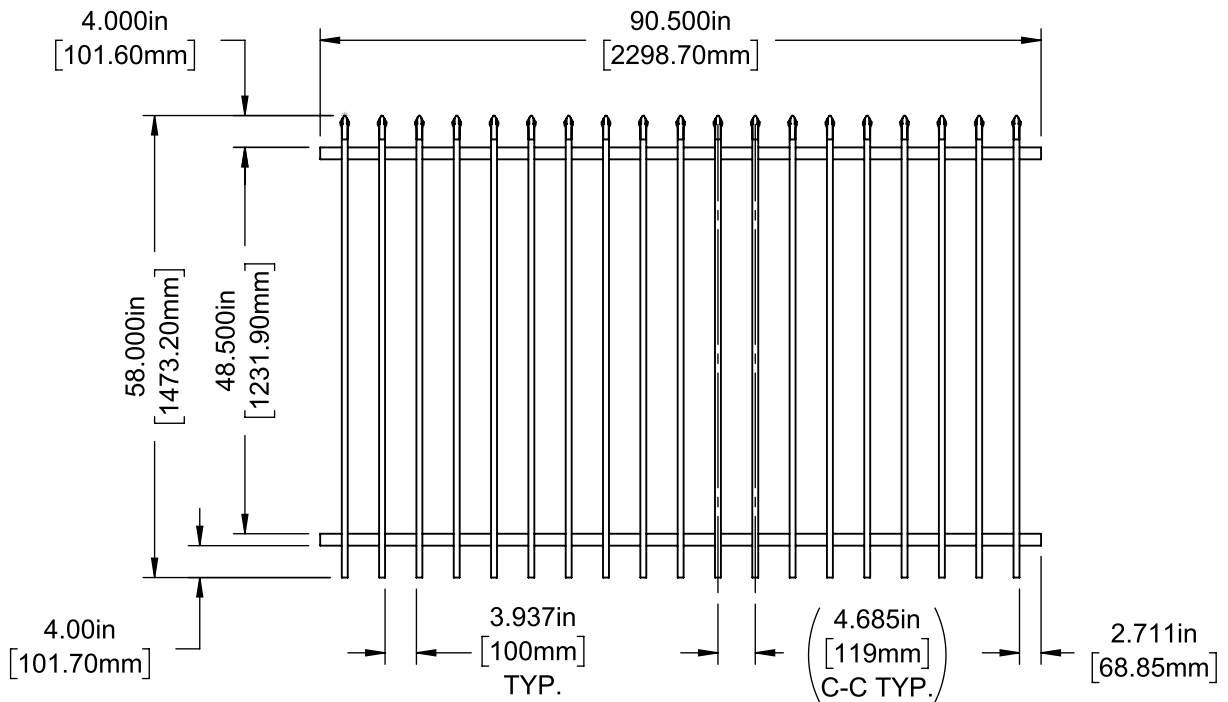
# SELECT | 58" X 90½" ALEXANDRIA

PICKET TOP | 2 RAIL | STANDARD BOTTOM | WELDED FACE MOUNT | 1½" X 1½" RAIL

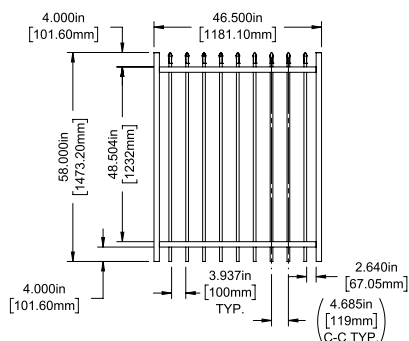
| DESCRIPTION   | BLACK |          |
|---|-------|----------|
|   | QTY   | SKU      |
| 58" x 90½" Alexandria Picket Top 2 Rail Panel (4" Extended Bottom) (58"H) |       | 73046723 |
| 58" x 46½" Alexandria Picket Top 2 Rail Straight Gate                     |       | 73046725 |
| 58" x 58½" Alexandria Picket Top 2 Rail Straight Gate                     |       | 73046726 |

Posts listed on last page.

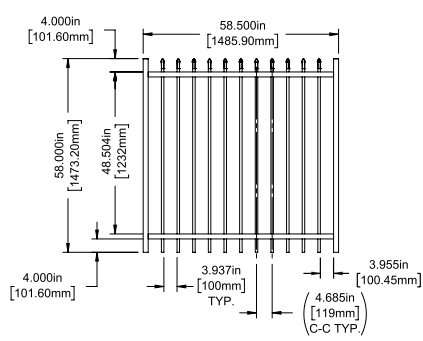
## FENCE PANEL



## 4' STRAIGHT WALK GATE



## 5' STRAIGHT WALK GATE



## RAIL PROFILE

1½" X 1½"

## PICKETS

¾" X ¾"

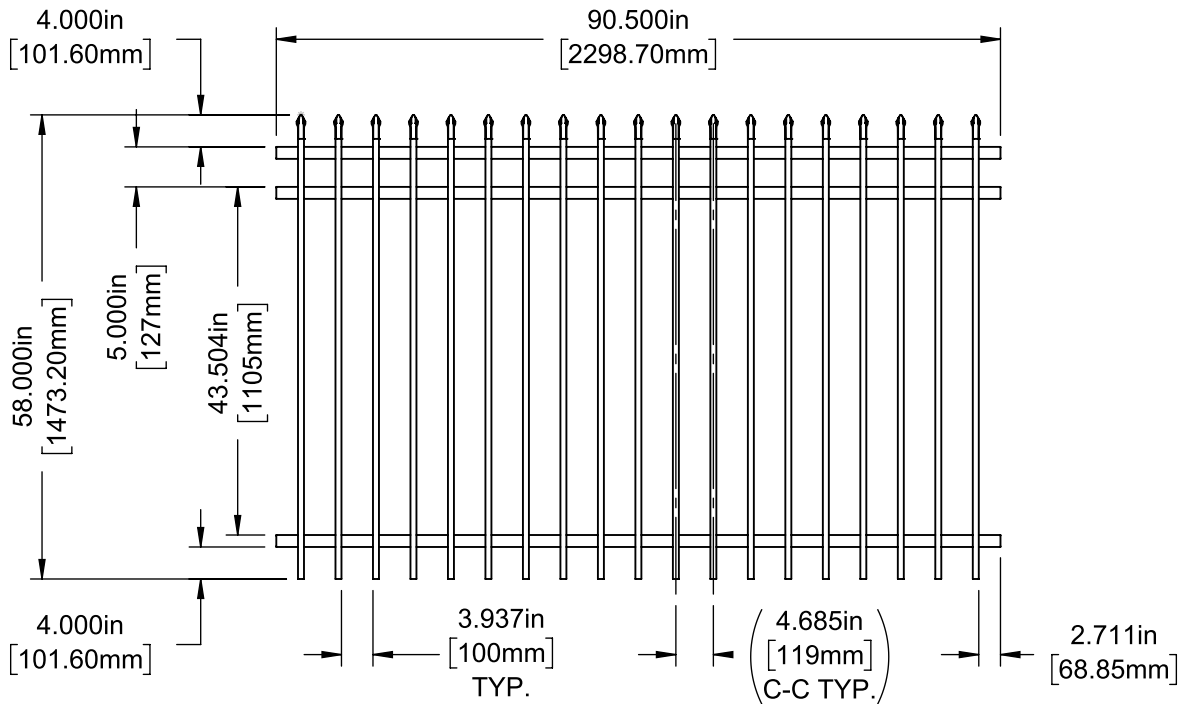
# SELECT | 58" X 90½" ALEXANDRIA

PICKET TOP | 3 RAIL | STANDARD BOTTOM | WELDED FACE MOUNT | 1½" X 1½" RAIL

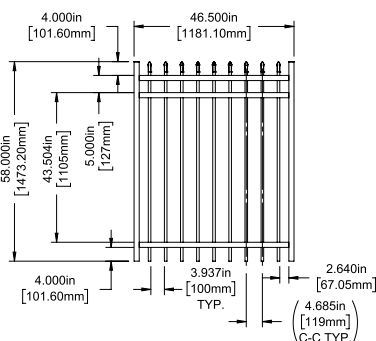
| DESCRIPTION  | BLACK |          |
|--|-------|----------|
|  | QTY   | SKU      |
| 58" x 90½" Alexandria Picket Top 3 Rail Panel (4" Extended Bottom) |       | 73046755 |
| 58" x 46½" Alexandria Picket Top 3 Rail Straight Gate              |       | 73046757 |
| 58" x 58½" Alexandria Picket Top 3 Rail Straight Gate              |       | 73046758 |

Posts listed on last page.

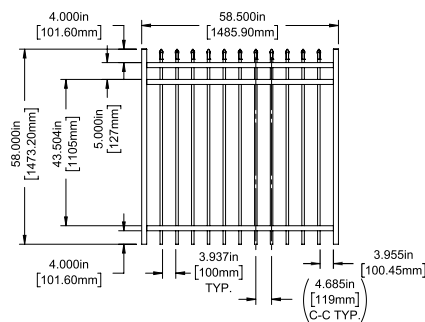
## FENCE PANEL



## 4' STRAIGHT WALK GATE



## 5' STRAIGHT WALK GATE



## RAIL PROFILE

1½" X 1½"

## PICKETS

¾" X ¾"

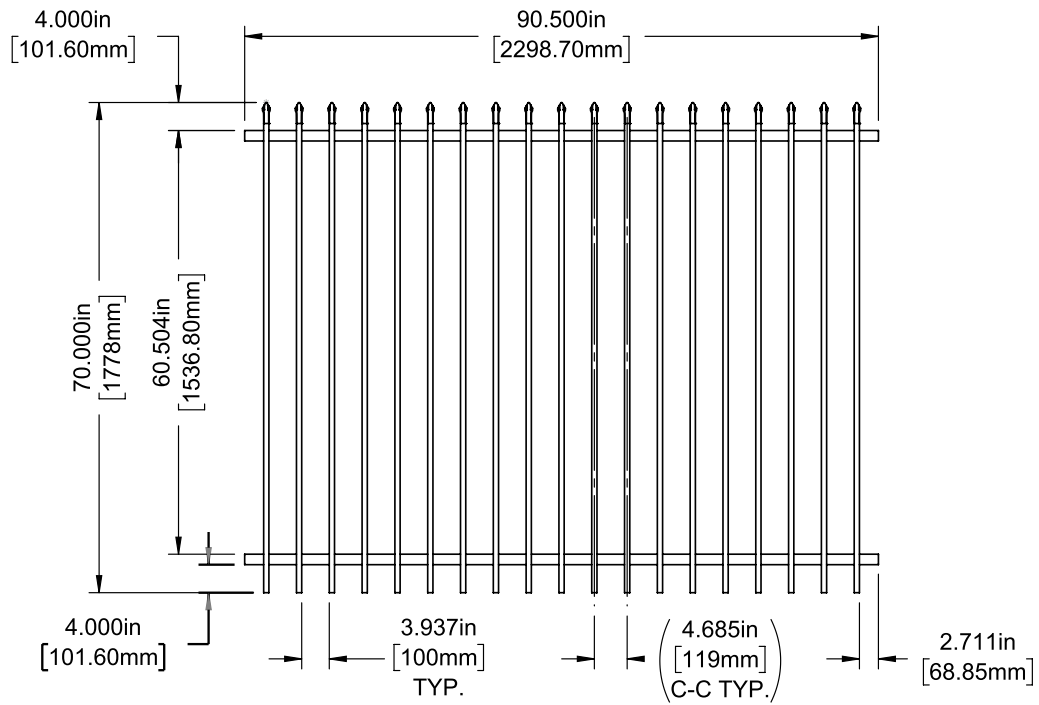
# SELECT | 70" X 90½" ALEXANDRIA

PICKET TOP | 2 RAIL | STANDARD BOTTOM | WELDED FACE MOUNT | 1½" X 1½"

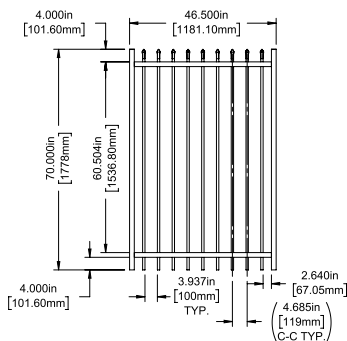
| DESCRIPTION  | BLACK |          |
|--|-------|----------|
|  | QTY   | SKU      |
| 70" x 90½" Alexandria Picket Top 2 Rail Panel (4" Extended Bottom) |       | 73046787 |
| 70" x 46½" Alexandria Picket Top 2 Rail Straight Gate              |       | 73046789 |
| 70" x 58½" Alexandria Picket Top 2 Rail Straight Gate              |       | 73046790 |

Posts listed on last page.

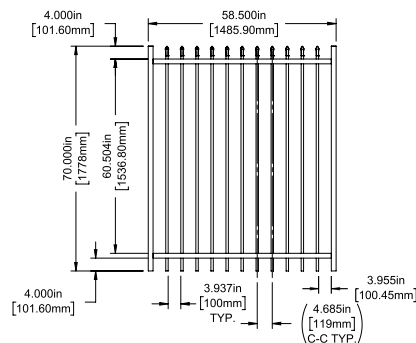
## FENCE PANEL



## 4' STRAIGHT WALK GATE



## 5' STRAIGHT WALK GATE



## RAIL PROFILE

1½" X 1½"

## PICKETS

¾" X ¾"

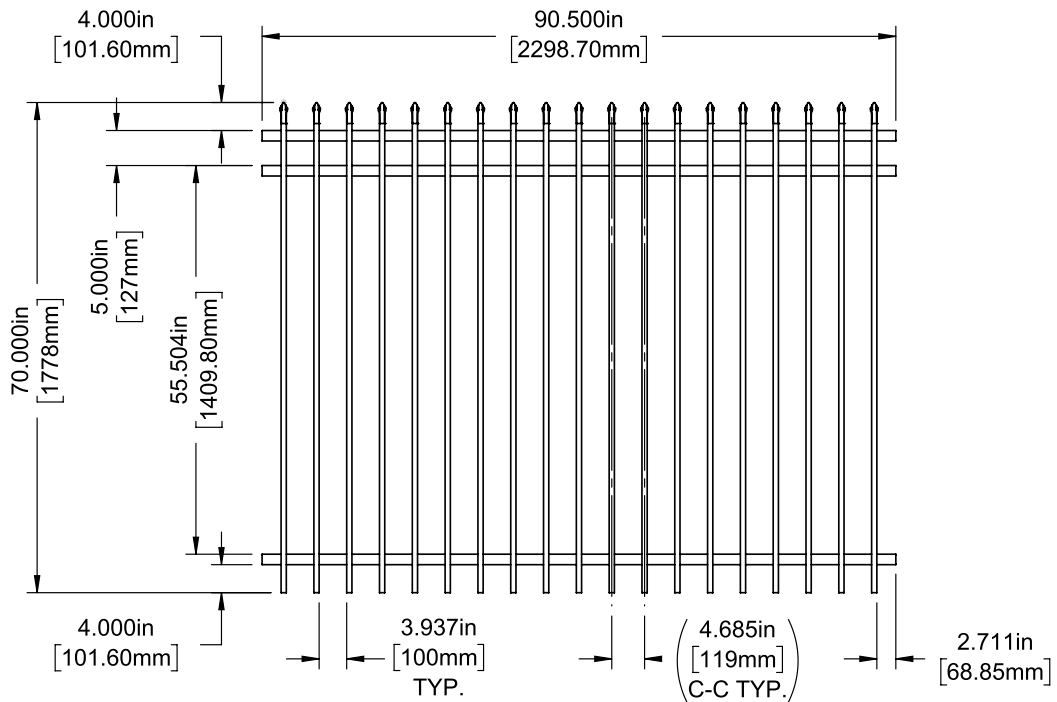
# SELECT | 70" X 90½" ALEXANDRIA

PICKET TOP | 3 RAIL | STANDARD BOTTOM | WELDED FACE MOUNT | 1½" X 1½" RAIL

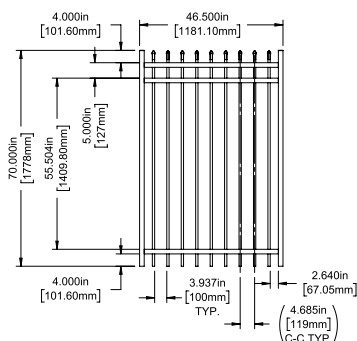
| DESCRIPTION  | BLACK |          |
|--|-------|----------|
|  | QTY   | SKU      |
| 70" x 90½" Alexandria Picket Top 3 Rail Panel (4" Extended Bottom) |       | 73046819 |
| 70" x 46½" Alexandria Picket Top 3 Rail Straight Gate              |       | 73046821 |
| 70" x 58½" Alexandria Picket Top 3 Rail Straight Gate              |       | 73046822 |

Posts listed on last page.

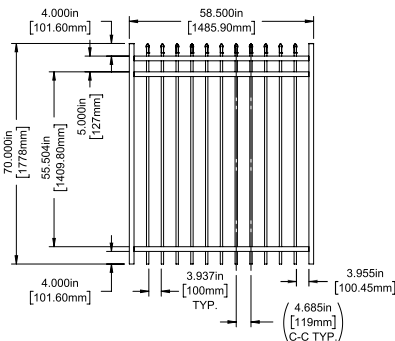
## FENCE PANEL



## 4' STRAIGHT WALK GATE



## 5' STRAIGHT WALK GATE



## RAIL PROFILE

1½" X 1½"

## PICKETS

¾" X ¾"

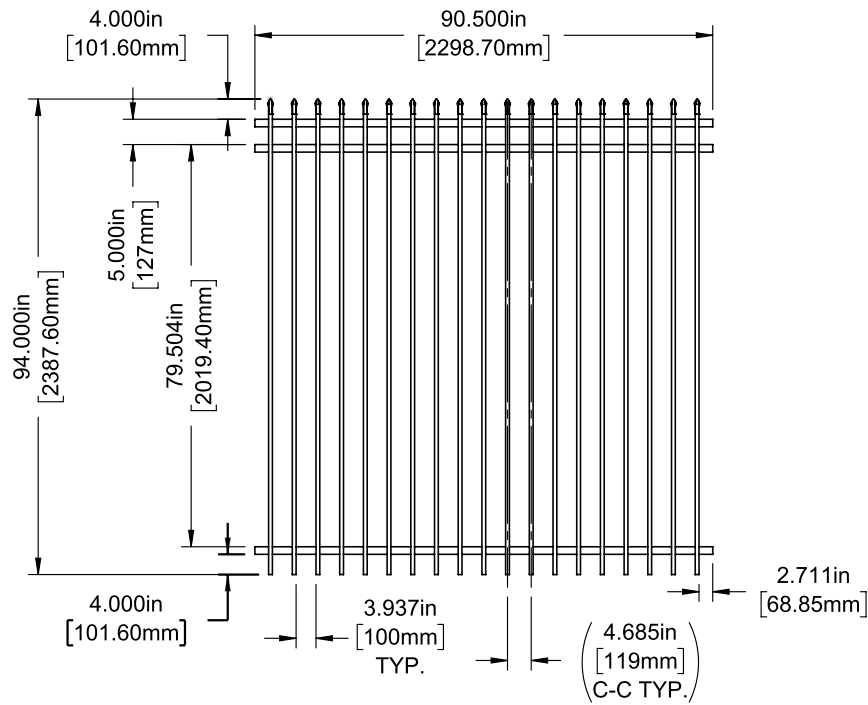
# SELECT | 94" X 90½" ALEXANDRIA

PICKET TOP | 3 RAIL | STANDARD BOTTOM | WELDED FACE MOUNT | ½" X ½" RAIL

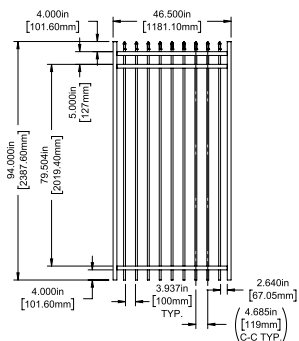
| DESCRIPTION  | BLACK |          |
|--|-------|----------|
|  | QTY   | SKU      |
| 94" x 90½" Alexandria Picket Top 3 Rail Panel (4" Extended Bottom) |       | 73046851 |
| 94" x 46½" Alexandria Picket Top 3 Rail Straight Gate              |       | 73046853 |
| 94" x 58½" Alexandria Picket Top 3 Rail Straight Gate              |       | 73046854 |

Posts listed on last page.

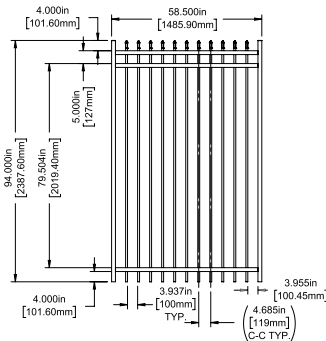
## FENCE PANEL



## 4' STRAIGHT WALK GATE



## 5' STRAIGHT WALK GATE



## RAIL PROFILE

½" X ½"

## PICKETS

¾" X ¾"



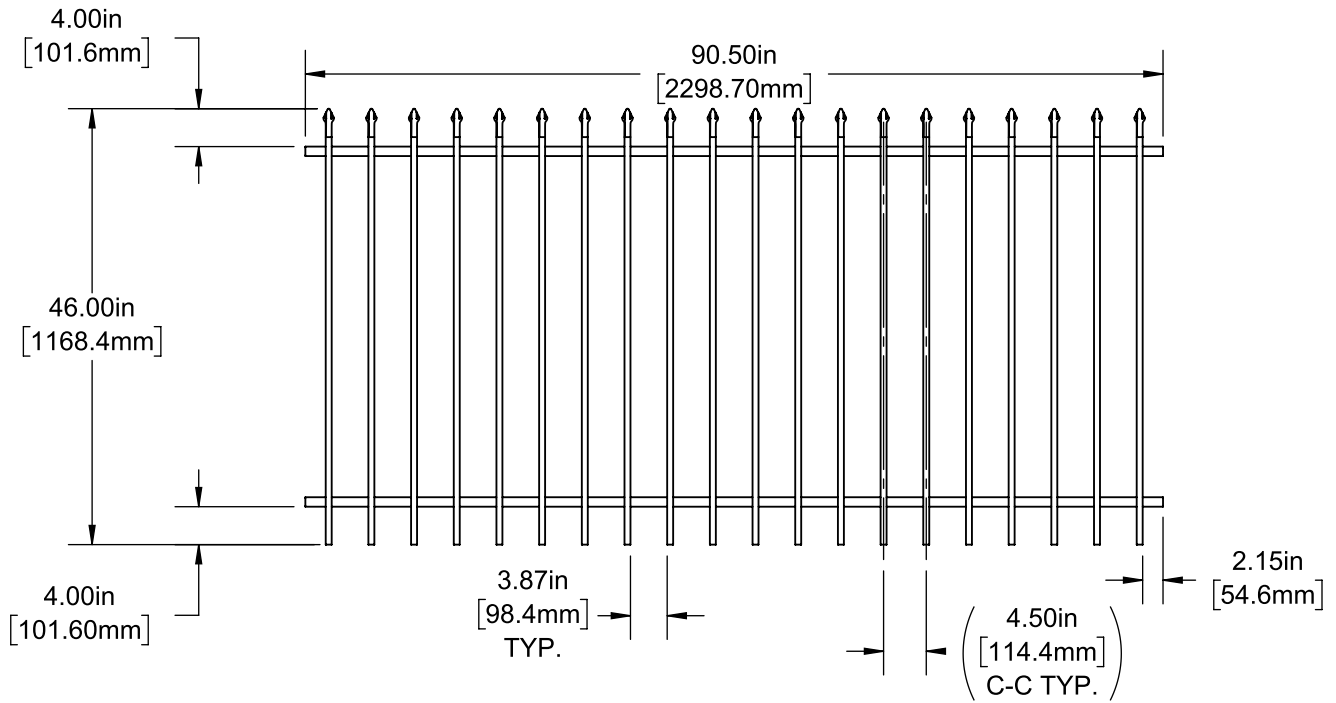
# STANDARD | 46" X 90½" ALEXANDRIA

PICKET TOP | 3 RAIL | STANDARD BOTTOM | WELDED FACE MOUNT | 1" X 1" RAIL

| DESCRIPTION  | BLACK |          |
|--|-------|----------|
|  | QTY   | SKU      |
| 46" x 90½" Alexandria Picket Top 2 Rail Panel (4" Extended Bottom) |       | 73046501 |
| 46" x 46½" Alexandria Picket Top 2 Rail Straight Gate              |       | 73046503 |
| 46" x 58½" Alexandria Picket Top 2 Rail Straight Gate              |       | 73046504 |

Posts listed on last page.

## FENCE PANEL



## 4' STRAIGHT WALK GATE

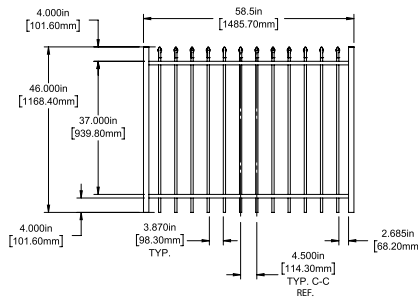
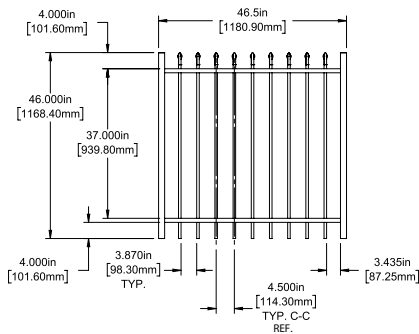
## 5' STRAIGHT WALK GATE

## RAIL PROFILE

1" x 1"

## PICKETS

5/8" x 5/8"



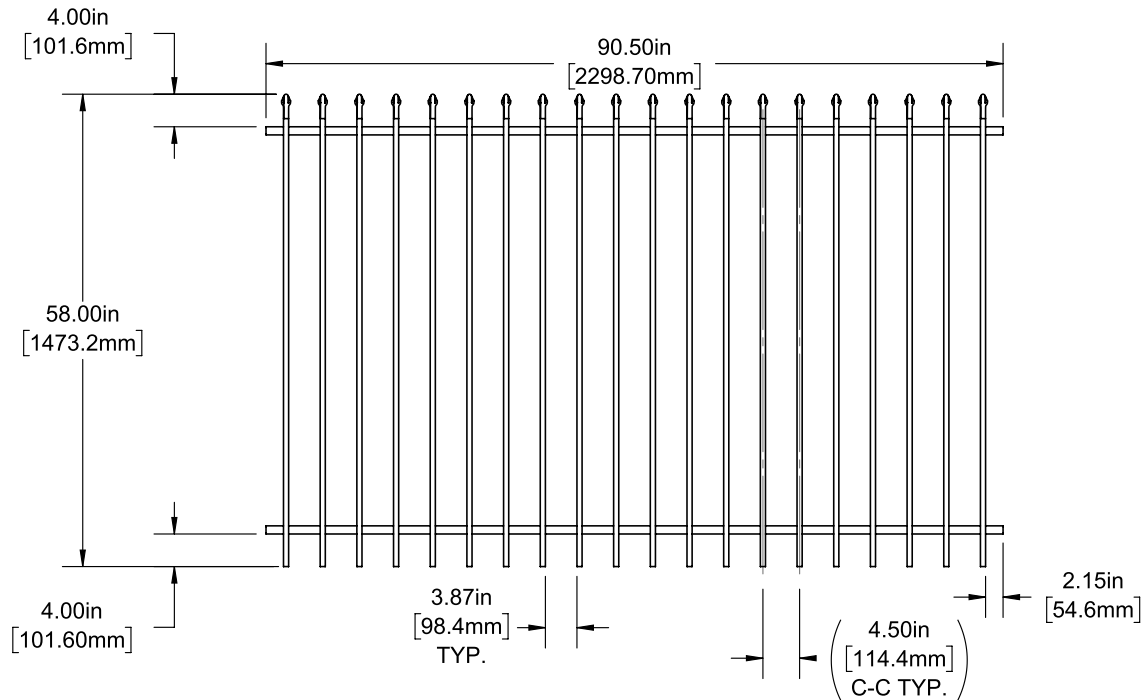
# STANDARD | 58" X 90½" ALEXANDRIA

PICKET TOP | 2 RAIL | STANDARD BOTTOM | WELDED FACE MOUNT | 1" X 1" RAIL

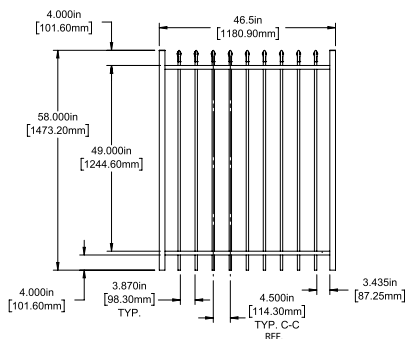
| DESCRIPTION  | BLACK |          |
|--|-------|----------|
|  | QTY   | SKU      |
| 58" x 90½" Alexandria Picket Top 2 Rail Panel (4" Extended Bottom) |       | 73046533 |
| 58" x 46½" Alexandria Picket Top 2 Rail Straight Gate              |       | 73046535 |
| 58" x 58½" Alexandria Picket Top 2 Rail Straight Gate              |       | 73046536 |

Posts listed on last page.

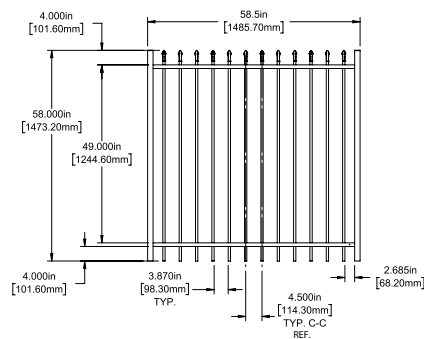
## FENCE PANEL



## 4' STRAIGHT WALK GATE



## 5' STRAIGHT WALK GATE



## RAIL PROFILE

1" X 1"

## PICKETS

5/8" X 5/8"

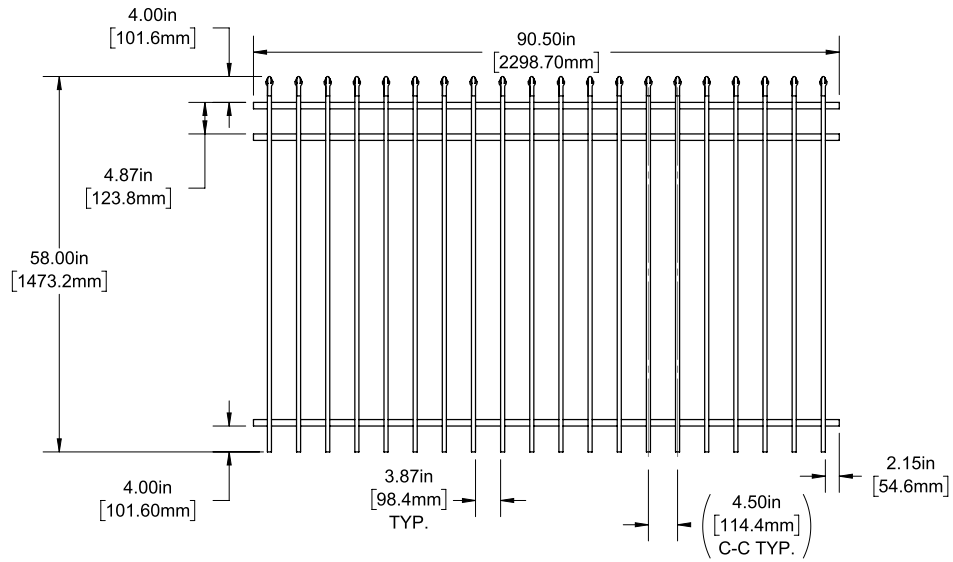
# STANDARD | 58" X 90½" ALEXANDRIA

PICKET TOP | 3 RAIL | STANDARD BOTTOM | WELDED FACE MOUNT | 1" X 1" RAIL

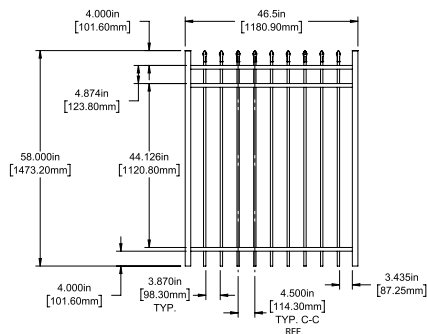
| DESCRIPTION   | BLACK |          |
|---|-------|----------|
|   | QTY   | SKU      |
| 58" x 90½" Picket Top 3 Rail Panel (4" Extended Bottom) |       | 73046564 |
| 58" x 46½" Picket Top 3 Rail Panel Straight Gate        |       | 73046566 |
| 58" x 58½" Picket Top 3 Rail Panel Straight Gate        |       | 73046567 |

Posts listed on last page.

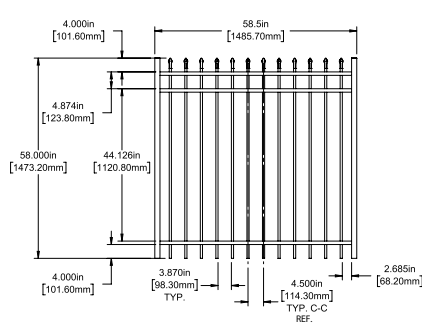
## FENCE PANEL



## 4' STRAIGHT WALK GATE



## 5' STRAIGHT WALK GATE



## RAIL PROFILE

1" X 1"

## PICKETS

5/8" X 5/8"

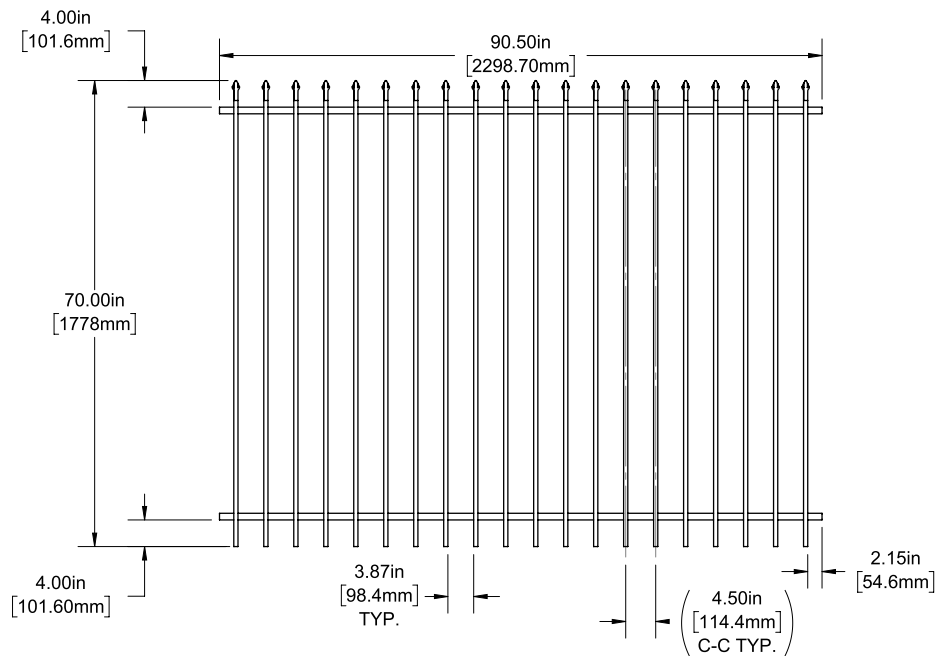
# STANDARD | 70" X 90½" ALEXANDRIA

PICKET TOP | 3 RAIL | STANDARD BOTTOM | WELDED FACE MOUNT | 1" X 1" RAIL

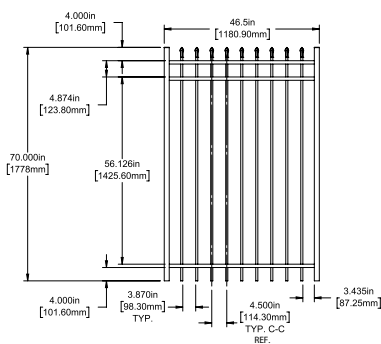
| DESCRIPTION  | BLACK |          |
|--|-------|----------|
|  | QTY   | SKU      |
| 70" x 90½" Alexandria Picket Top 2 Rail Panel (4" Extended Bottom) |       | 73046596 |
| 70" x 46½" Alexandria Picket Top 2 Rail Straight Gate              |       | 73046598 |
| 70" x 58½" Alexandria Picket Top 2 Rail Straight Gate              |       | 73046599 |

Posts listed on last page.

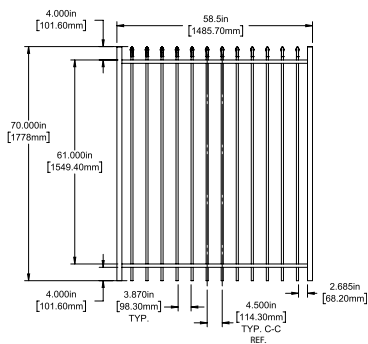
## FENCE PANEL



## 4' STRAIGHT WALK GATE



## 5' STRAIGHT WALK GATE



## RAIL PROFILE

1" X 1"

## PICKETS

5/8" X 5/8"

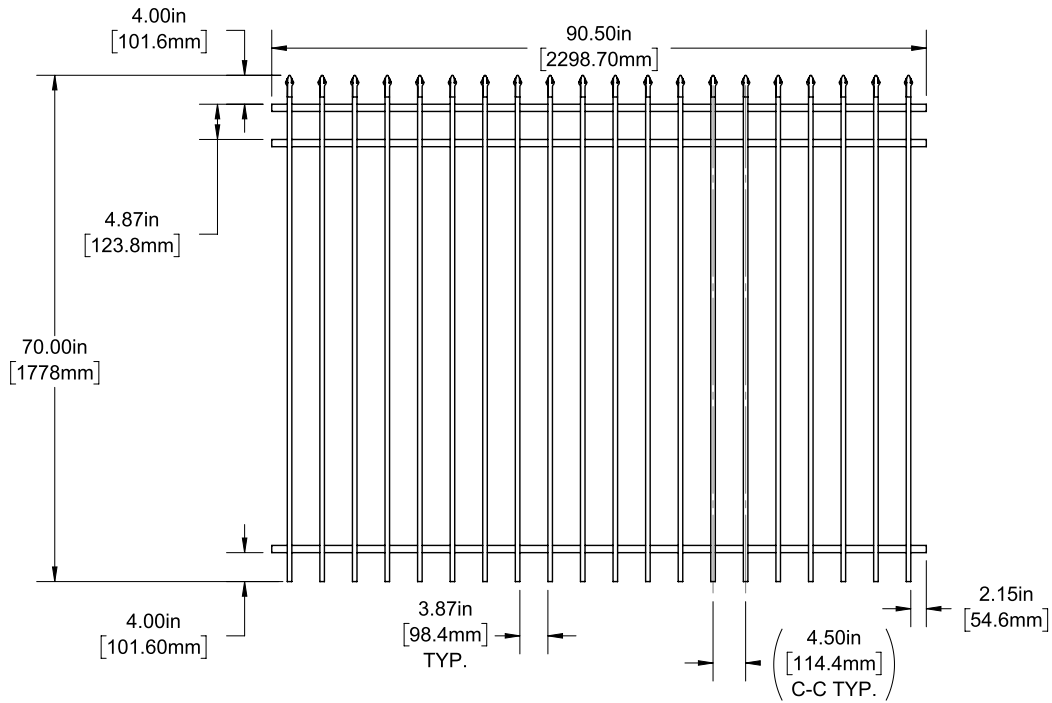
# STANDARD | 70" X 90½" ALEXANDRIA

PICKET TOP | 3 RAIL | STANDARD BOTTOM | WELDED FACE MOUNT | 1" X 1" RAIL

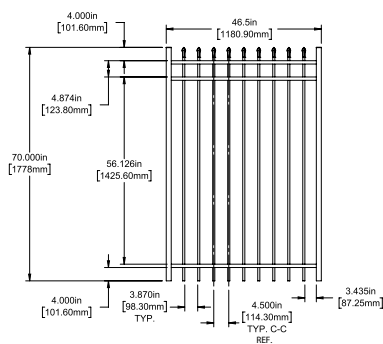
| DESCRIPTION  | BLACK |          |
|--|-------|----------|
|  | QTY   | SKU      |
| 70" x 90½" Alexandria Picket Top 3 Rail Panel (4" Extended Bottom) |       | 73046627 |
| 70" x 46½" Alexandria Picket Top 3 Rail Straight Gate              |       | 73046629 |
| 70" x 58½" Alexandria Picket Top 3 Rail Straight Gate              |       | 73046630 |

Posts listed on last page.

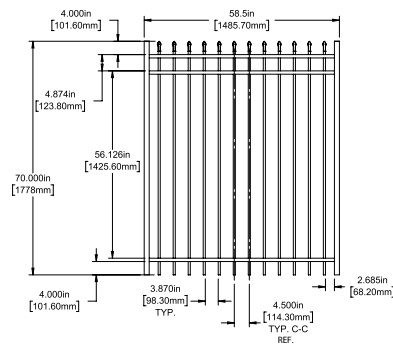
## FENCE PANEL



## 4' STRAIGHT WALK GATE



## 5' STRAIGHT WALK GATE



## RAIL PROFILE

1" X 1"

## PICKETS

5/8" X 5/8"

# ACCESSORIES | STEEL

## BLANK POSTS

| DESCRIPTION                 | QTY | UNIT | SKU      |
|-----------------------------|-----|------|----------|
| <b>16 GAUGE BLANK POSTS</b> |     |      |          |
| 1" x 1" x 34"               |     | 900  | 73046892 |
| 1" x 1" x 46"               |     | 900  | 73046893 |
| 1" x 1" x 54"               |     | 900  | 73046894 |
| 1" x 1" x 58"               |     | 900  | 73046895 |
| 1" x 1" x 70"               |     | 600  | 73046896 |
| 1" x 1" x 94"               |     | 600  | 73046897 |
| 1½" x 1½" x 34"             |     | 400  | 73046898 |
| 1½" x 1½" x 46"             |     | 400  | 73046899 |
| 1½" x 1½" x 54"             |     | 400  | 73046900 |
| 1½" x 1½" x 58"             |     | 400  | 73046901 |
| 1½" x 1½" x 70"             |     | 400  | 73046902 |
| 1½" x 1½" x 94"             |     | 400  | 73046903 |
| 2" x 2" x 60"               |     | 225  | 73046904 |
| 2" x 2" x 72"               |     | 400  | 73045123 |
| 2" x 2" x 84"               |     | 225  | 73045126 |
| 2" x 2" x 96"               |     | 225  | 73045129 |
| 2" x 2" x 108"              |     | 225  | 73045132 |
| 2" x 2" x 120"              |     | 225  | 73046905 |
| 2" x 2" x 132"              |     | 225  | 73044416 |
| <b>14 GAUGE BLANK POSTS</b> |     |      |          |
| 2" x 2" x 60"               |     | 225  | 73046906 |
| 2" x 2" x 72"               |     | 225  | 73045122 |
| 2" x 2" x 84"               |     | 225  | 73045125 |
| 2" x 2" x 96"               |     | 225  | 73045128 |
| 2" x 2" x 108"              |     | 225  | 73045131 |
| 2" x 2" x 120"              |     | 150  | 73045134 |
| 2" x 2" x 132"              |     | 150  | 73046907 |
| 2½" x 2½" x 60"             |     | 144  | 73046910 |
| 2½" x 2½" x 72"             |     | 256  | 73045136 |
| 2½" x 2½" x 84"             |     | 144  | 73045138 |
| 2½" x 2½" x 96"             |     | 144  | 73045140 |
| 2½" x 2½" x 108"            |     | 144  | 73045142 |
| 2½" x 2½" x 120"            |     | 144  | 73046911 |
| 2½" x 2½" x 132"            |     | 144  | 73046912 |
| 2½" x 2½" x 144"            |     | 96   | 73046913 |
| 3" x 3" x 60"               |     | 100  | 73046917 |
| 3" x 3" x 72"               |     | 100  | 73046918 |
| 3" x 3" x 84"               |     | 100  | 73046919 |
| 3" x 3" x 96"               |     | 100  | 73046920 |
| 3" x 3" x 108"              |     | 100  | 73046921 |
| 3" x 3" x 120"              |     | 100  | 73046922 |
| 3" x 3" x 132"              |     | 100  | 73046923 |
| 3" x 3" x 144"              |     | 100  | 73046924 |

All posts come with post cap attached.

| DESCRIPTION                 | QTY | UNIT | SKU      |
|-----------------------------|-----|------|----------|
| <b>9 GAUGE BLANK POSTS</b>  |     |      |          |
| 4" x 4" x 60"               |     | 64   | 73046941 |
| 4" x 4" x 72"               |     | 64   | 73046942 |
| 4" x 4" x 84"               |     | 64   | 73046943 |
| 4" x 4" x 96"               |     | 64   | 73046944 |
| 4" x 4" x 108"              |     | 56   | 73046945 |
| 4" x 4" x 120"              |     | 49   | 73046946 |
| 4" x 4" x 132"              |     | 42   | 73046947 |
| 4" x 4" x 144"              |     | 42   | 73046948 |
| 6" x 6" x 60"               |     | 35   | 73046949 |
| 6" x 6" x 72"               |     | 35   | 73046950 |
| 6" x 6" x 84"               |     | 35   | 73046951 |
| 6" x 6" x 96"               |     | 35   | 73046952 |
| 6" x 6" x 108"              |     | 35   | 73046953 |
| 6" x 6" x 120"              |     | 35   | 73046954 |
| 6" x 6" x 132"              |     | 30   | 73046955 |
| 6" x 6" x 144"              |     | 30   | 73046956 |
| <b>11 GAUGE BLANK POSTS</b> |     |      |          |
| 2" x 2" x 60"               |     | 225  | 73046908 |
| 2" x 2" x 72"               |     | 225  | 73045121 |
| 2" x 2" x 84"               |     | 150  | 73045124 |
| 2" x 2" x 96"               |     | 150  | 73045127 |
| 2" x 2" x 108"              |     | 150  | 73045130 |
| 2" x 2" x 120"              |     | 135  | 73045133 |
| 2" x 2" x 132"              |     | 96   | 73046909 |
| 2½" x 2½" x 60"             |     | 144  | 73046914 |
| 2½" x 2½" x 72"             |     | 144  | 73045135 |
| 2½" x 2½" x 84"             |     | 144  | 73045137 |
| 2½" x 2½" x 96"             |     | 96   | 73045139 |
| 2½" x 2½" x 108"            |     | 96   | 73045141 |
| 2½" x 2½" x 120"            |     | 96   | 73045135 |
| 2½" x 2½" x 132"            |     | 96   | 73046915 |
| 2½" x 2½" x 144"            |     | 96   | 73046916 |
| 3" x 3" x 60"               |     | 100  | 73046925 |
| 3" x 3" x 72"               |     | 100  | 73046926 |
| 3" x 3" x 84"               |     | 100  | 73046927 |
| 3" x 3" x 96"               |     | 100  | 73046928 |
| 3" x 3" x 108"              |     | 100  | 73046929 |
| 3" x 3" x 120"              |     | 80   | 73046930 |
| 3" x 3" x 132"              |     | 80   | 73046931 |
| 3" x 3" x 144"              |     | 80   | 73046932 |
| 4" x 4" x 60"               |     | 64   | 73046933 |
| 4" x 4" x 72"               |     | 64   | 73046934 |
| 4" x 4" x 84"               |     | 64   | 73046935 |
| 4" x 4" x 96"               |     | 64   | 73046936 |
| 4" x 4" x 108"              |     | 64   | 73046937 |
| 4" x 4" x 120"              |     | 64   | 73046938 |
| 4" x 4" x 132"              |     | 64   | 73046939 |
| 4" x 4" x 144"              |     | 56   | 73046940 |